



REAL WALL WASHER-A

Real Wall Washer-A is a single-color wall washer. It is designed to generate rich, saturated colors. Real Wall Washer-A specially suit to wash color for landscape buildings, squares, scenic spots, wall facade and exhibitions.

Real Wall Washer-A has 36 high power LEDs with extruded aluminum housing. With 256 degree gray-scale function, cool white, warm white, red, yellow, amber are available. It provides even colors for wall surface. The angle of light-emitting surface can be manually adjusted. It rated to IP66, for both indoor and outdoor installations in damp or dry locations.

Real Wall Washer-A integrates power and data management directly within the fixture and no need for an external power supply. It's easy for installation and maintenance.

Real Wall Washer-A can work independently with internal pre-programming. It can also be controlled by LiteMagic controller or the third-party DMX controller.

Benefits:

- ◆ 36 High Power 1W LEDs.
- ◆ Easy for installation and maintenance.
- ◆ Controllers are optional: LiteMagic online & stand alone controllers or third-party DMX controller
- ◆ Waterproof, Weather proof, for both indoor and outdoor installation.

Order Information

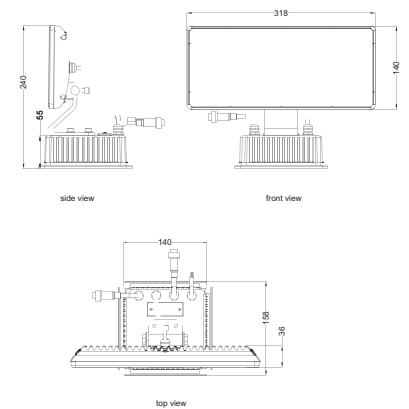
101-01019-01	36 High Power 1W LEDs, Red
101-01019-02	36 High Power 1W LEDs, Cool White
101-01019-03	36 High Power 1W LEDs, Warm White
101-01019-04	36 High Power 1W LEDs, Yellow
101-01019-05	36 High Power 1W LEDs, Amber

SPECIFICATIONS

Basic Specifications	
Color Range	Cool White, Warm White, Red, Yellow, Amber
Source	36 High Power 1W LEDs
Source Life	MTBF=35,000hrs (Typical)
Housing	Extruded Aluminum
Connector	VG95234 Connector
Net Weight	3.6kg
Optical Specifications	
Flux	980lm
Beam Angle	50°X 25°

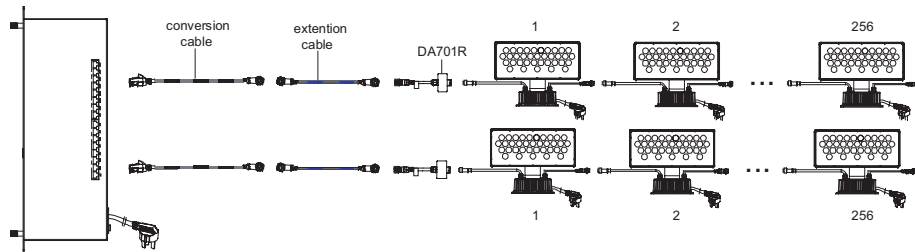
Physical Dimension:

Unit: mm



Controlling System Diagram:

1. Standalone Controlling System:



ILC3000(16 output ports)
maximum 256 nodes for each output port

2. DMX Controlling System:

