

Benefits:

- ◆ Modular design, easy connection.
- ◆ Flexible lighting string, more suitable for curving or arch-shape area.
- ◆ Pitch 10cm, and can be customized over 10cm.
- ◆ Installation distance between 2 light nodes can be adjusted ranging from 8cm to 10cm.
- ◆ Waterproof, weatherproof and anti-UV.
- ◆ Flexible installation.

REAL SPOT-A

Real Spot-A is a flexible modular LED lighting string, which is designed for accent lighting and perimeter lighting, or as a component of a custom fixture. By simple connection, professional lighting designer can create and design linear lighting, screens, or arch-shape and any lighting effects.

Real Spot-A standard lighting string has 40 LED nodes. Each node has 3 pieces build-in super bright LEDs and drive circuit. The pitch is 10cm, and the total lighting string length is 4.84m. It is more compact than Real Strip-B. With related controlling system, each node of Real Spot-A can realize controllable 256 gray-scale changing.

Real Spot-A connects with each other by sealed circular connectors on both ends. Innovative mid-way power supply connects the lighting string by waterproof connectors and power supply, the wire has 0.3m length.

The node cover of Real Spot-A uses weatherproof and fireproof material. Housing color is white, and the optical lens is milky dome.

Real Spot-A can be mounted by special suspended system with steel wire or mounting track.

Real Spot-A receives signals from dedicated controller, each port of a controller can support up to 6 standard lighting strings or 256 nodes maximum.

Real Spot-A supports the third party DMX controlling system.

SPECIFICATIONS

Basic Specifications	
Color Range	Single Cool White / Warm White / Red / Green / Blue / Yellow
Source	40 Nodes; each node has 3 Single Color LEDs
Source Life	MTBF=50,000 hours (Typical)
Housing	Weatherproof, Fireproof, anti-UV
Connector	VG95234 Connector
Net Weight	1kg
Optical Specifications	
Light Intensity	Cool White:4.5cd; Warm White:3.6cd; Red:0.45cd; Green:1.05cd; Blue:0.24cd; Yellow:0.45cd



Single Node:

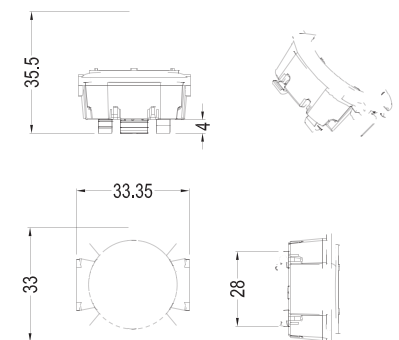


VG95234 Connector:



Single Node Dimension:

Unit: mm

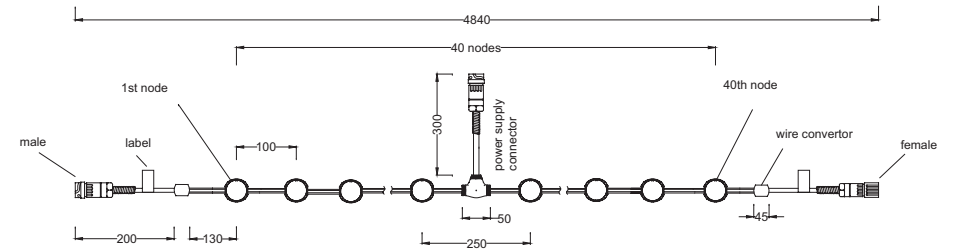


Order Information

101-01010-01	Pitch 10cm, Red, White Housing, Milky Dome, Sealed Circular Connector
101-01010-02	Pitch 10cm, Green, White Housing, Milky Dome, Sealed Circular Connector
101-01010-03	Pitch 10cm, Blue, White Housing, Milky Dome, Sealed Circular Connector
101-01010-04	Pitch 10cm, Yellow, White Housing, Milky Dome, Sealed Circular Connector
101-01010-05	Pitch 10cm, Warm White, White Housing, Milky Dome, Sealed Circular Connector
101-01010-06	Pitch 10cm, Cool White, White Housing, Milky Dome, Sealed Circular Connector

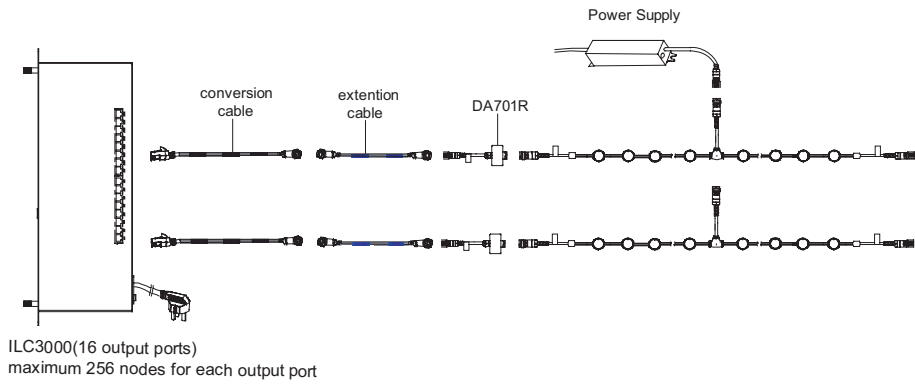
Standard Lighting String :

Unit: mm



Controlling System Diagram:

1. Standalone Controlling System:



2. DMX512 Controlling System:

