



**Benefits:**

- ◆ Modular design, easy connection.
- ◆ Flexible lighting string, more suitable for curving or arch-shape area.
- ◆ Pitch 10cm, and can be customized over 10cm.
- ◆ Installation distance between 2 light nodes can be adjusted ranging from 8cm to 10cm.
- ◆ Waterproof, weatherproof and anti-UV.
- ◆ Flexible installation.

## REAL SPOT-B

Real Spot-B is a flexible modular LED lighting string, which is designed for accent lighting and perimeter lighting, or as a component of a custom fixture. By simple connection, professional lighting designer can create and design linear lighting, screens, or arch-shape and any lighting effects.

Real Spot-B standard lighting string has 40 LED nodes. Each node has 3 pieces build-in super bright LEDs and drive circuit. The pitch is 10cm, and the total lighting string length is 4.84m. It is more compact than Real Strip-B. Each node of Real Spot-B can realize controllable 256 gray-scale changing.

Real Spot-B connects with each other by sealed circular connectors on both ends. Innovative mid-way power supply connects the lighting string by waterproof connectors and power supply, the wire has 0.3m length.

The node cover of Real Spot-B uses weatherproof and fireproof material, and the housing color is white. The optical lens is clear arch.

Real Spot-B can be mounted by special suspended system with steel wire or mounting track.

Real Spot-B receives signals from dedicated controller, each port of a controller can support up to 6 standard lighting strings or 256 nodes maximum.

Real Spot-B supports the third party DMX controlling system.

### SPECIFICATIONS

**Basic Specifications**

Color Range	Single Cool White / Warm White / Red / Green / Blue / Yellow
Source	40 Nodes; each node has 3 Single Color LEDs
Source Life	MTBF=50,000 hours (Typical)
Housing	Weatherproof, Fireproof, anti-UV
Connector	VG95234 Connector
Net Weight	1kg

**Optical Specifications**

Light Intensity	Cool White:4.5cd; Warm White:3.6cd; Red:0.45cd; Green:1.05cd; Blue:0.24cd; Yellow:0.45cd
-----------------	--

Single Node:

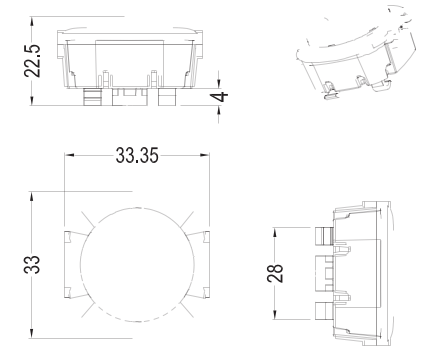


VG95234 Connector:



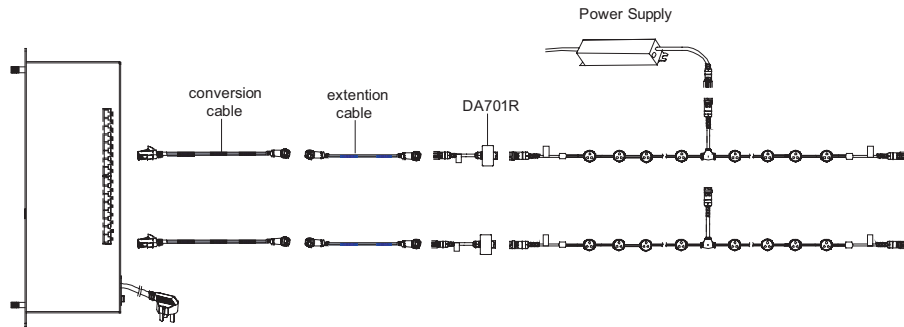
Single Node Dimension

Unit: mm



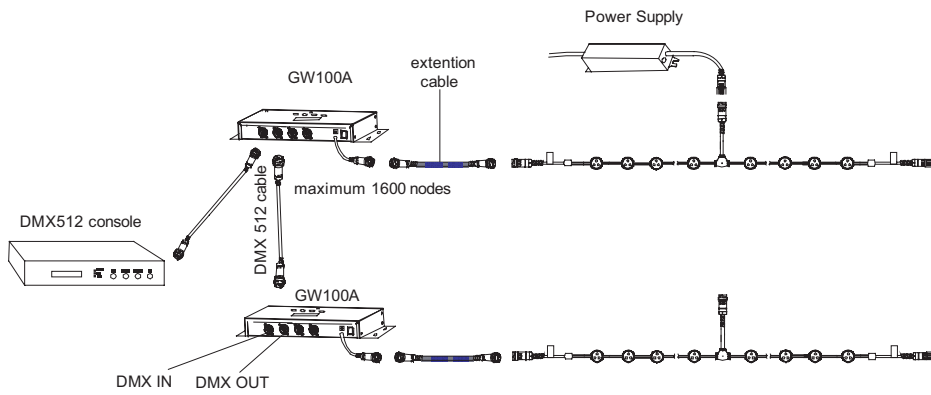
Controlling System Diagram:

1. Standalone Controlling System:



ILC3000(16 output ports)  
maximum 256 nodes for each output port

2. DMX512 Controlling System:



Order Information

101-01010-07	Pitch 10cm, Red, White Housing, Clear Arch, Sealed Circular Connector
101-01010-08	Pitch 10cm, Green, White Housing, Clear Arch, Sealed Circular Connector
101-01010-09	Pitch 10cm, Blue, White Housing, Clear Arch, Sealed Circular Connector
101-01010-10	Pitch 10cm, Yellow, White Housing, Clear Arch, Sealed Circular Connector
101-01010-11	Pitch 10cm, Warm White, White Housing, Clear Arch, Sealed Circular Connector
101-01010-12	Pitch 10cm, Cool White, White Housing, Clear Arch, Sealed Circular Connector

Standard Lighting String:

Unit: mm

