



## MAGIC PAINTER-D

Magic Painter-D is a full color LED fixture providing facade lighting effect for architecture or other objects. It can wash color for assigned area or landscape. Splendid lighting effects highlight the features and characteristics of objects to create special atmosphere there. It's applicable for locations such as stage, community, park, bridge, hotel, commercial building, etc.

Magic Painter-D adopts specpure high-power and high-saturation LED without UV. The shell is made of High strength aluminum alloy and it has perfect heat dissipating design. Owing to bracket device on both ends, the fixture body can be rotated axially to adjust light angle for the best lighting effect. Besides, Magic Painter-D has lots of virtues such as compact structure, tight sealing, shockproof and waterproof, which make the protection rating up to IP66. Moreover, by using sealed circular connector, it makes signal goes smoothly.

Magic Painter-D has two available sizes: 0.36M and 1M, it can meet different field installation requirements.

Magic Painter-D has a separate driver PDA753, in which built-in a certified full voltage power supply. Working with LiteMagic dedicated standalone or online controlling system, Magic Painter-D can present full color changing effect. Meanwhile, it is also compatible with the third party DMX512 controlling system.

### SPECIFICATION

Base Specifications					
Color Range	16,777,216 (24Bit) additive colors RGB				
Source	1W high power LED / 4R,4G,4B( 0.36m ) 1W high power LED / 12R,12G,12B ( 1m )				
Source Life	MTBF=50000 Hours ( Typical )				
Shell	High-Strength Aluminum Alloy				
Connector	Sealed circular connector				
Weight	0.85kg (0.36m) / 2.5kg (1m)				
Environment Specifications					
Working Temperature	-4°F to 122°F ( -20°C to 50°C )				
Storage Temperature	-40°F to 158°F ( -40°C to 70°C )				
Protection Rating	IP66				
Communication specifications					
Input Interface	LiteMagic Dedicated BUS				
Data Cable	6-conductor Circular Wire				
Electrical specifications					
Operating Voltage	DC 15V (0.36m) / DC 48V (1m)				
Input Voltage	85-265VAC				
Power Consumption	18W ( 0.36m ) / 51W ( 1m ) Max.				
Controller					
Host Controller	SD3000 , SD4000 , SD5000 , ILC3000				
Slave Controller	DR8104 , DR8016 , DR8116				
Optical Specifications					
Luminous Flux	Length (m)	White (lm)	Red (lm)	Green (lm)	Blue (lm)
	0.36	289	85	163	48
	1	850	250	480	140
Beam Angle	50°X 25°				
Projection Distance	4.6m				

### Features:

- ◆ Slim and linear design.
- ◆ Rotatable brackets of fixture body on both ends make light angle adjustable.
- ◆ Different fixture lengths, flexible installation.
- ◆ waterproof, protection rating is IP66.
- ◆ Sealed circular connector, safe and reliable.

### Order Information

101-00085-03	12 pcs LED Magic Painter-D length in 0.36m
101-00085-01	36 pcs LED Magic Painter-D length in 1m
753-00001-01	Signal driver box for Magic Painter-D in 0.36m
753-00001-00	Signal driver box for Magic Painter-D in 1m

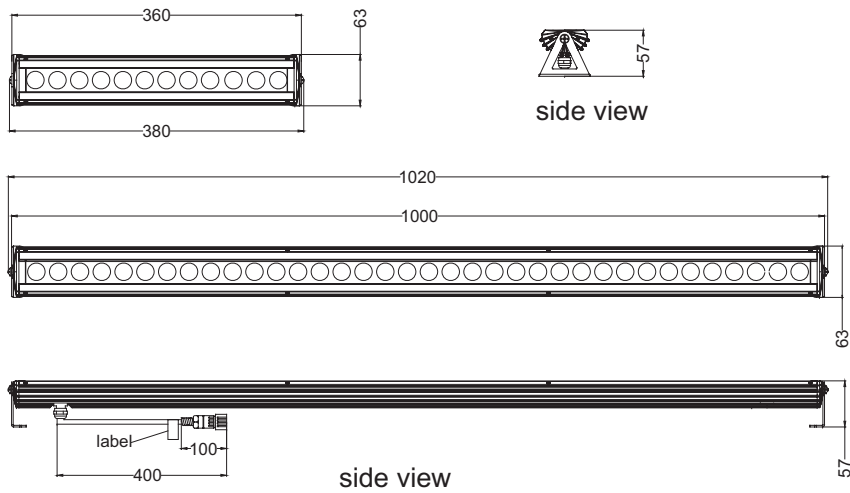
### ACCESSORIES

Related Products		
Signal Receiver DA701R-02	Signal Transmitter DA700T-02	Signal Driver PDA753A
Protection Cover FQ14-1	Protection Cover FQ18-13	
Extension Cables		
Controller-Receiver CF-8S07XXX-C	Receiver-Driver CI-6N07XXX-C	Transmitter-Receiver CF-8S07XXX-C
Driver-Driver CI-6N07XXX-D	Driver-Transmitter CF-6N07XXX-B	Driver-Light fixture CW-6N07XXX-C
Mounting Accessories		
Rubber Plug FG-GST227-002	Screw GB/T951-86	
		Screw GB/T845-85
Conversion Cable		
Controller- Receiver CO-8E01W01-A		

(XXX stand for different color and length, details please refer to related forms)

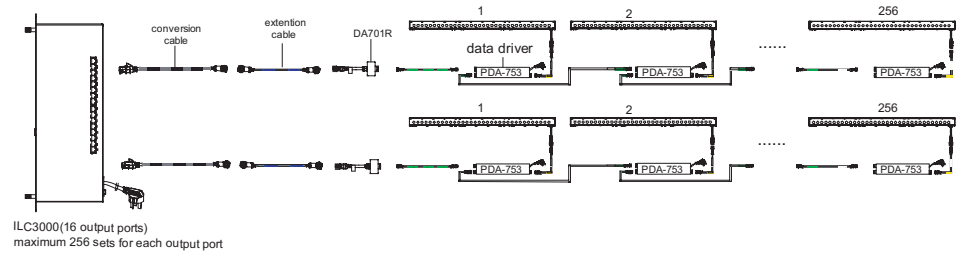
Physical Dimension:

Unit : mm

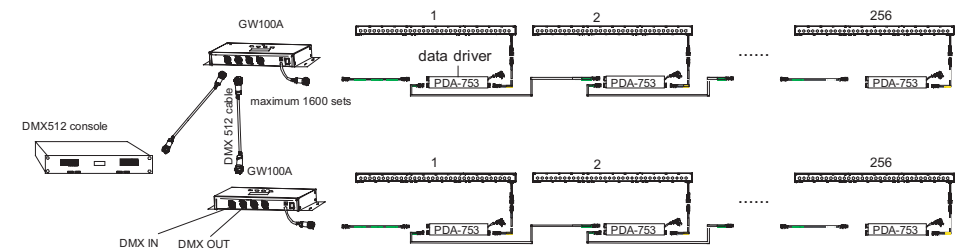


Controlling system drawing:

1. Standard alone system



2. DMX controlling system



3. Online controlling system

