



LED PAR LIGHT

LiteMagic's PAR light series is suitable for indoor applications, such as disco, theatre, stage, studio, etc. Different PAR lights can be used in different occasions. The voltage is ranging from 100V to 240V, two different types are available: PAR20 and PAR30.

LiteMagic's latest super bright PAR light series use breakthrough technology, with the unique quality, it gains much market attention and brings stunning lighting effect to stage.

Super bright PAR lights have different beam angles to meet different lighting demands. Due to optimized performance, increased light brightness, stable color temperature control, reduced glare, PAR light series stand out from the traditional lighting fixtures.



The super bright PAR light is much brighter than traditional lamp for 420~700lm luminous flux, however, it still has long lifespan of 35,000 hours (typical). Lamp holder meets International standard E27. Sealed circuit design prolongs the source life, and prevents from dust, vapor, etc.

Applications :

- ◆ Interior accent lighting and perimeter lighting.
- ◆ Museum lighting.
- ◆ Scene lighting such as valley, restaurant, hotel, etc.
- ◆ Display lighting such as shopping mall, showroom and counter etc.
- ◆ Special lighting such as disco, theater, stage, studio, etc.

Features :

- ◆ 1W high power LED.
- ◆ Patented packaging technology and heat dissipation design ensure the heat disperses quickly.
- ◆ Over 35000 hours lifespan.
- ◆ No infrared and UV, No harm to human.
- ◆ Smart constant current control circuit to eliminate flicker and ripple, present smooth natural light.
- ◆ Excellent color rendering (CRI>90) , it makes the illuminated object looks natural and vividly.
- ◆ Excellent heat dissipation design based on aluminum alloy structure, the surface temperature is below 65° C, more safe and stable;
- ◆ Working frequency is up to 47-63Hz.
- ◆ The beam angle is 25° / 45° / 60°.
- ◆ CE and ROHS certificated.



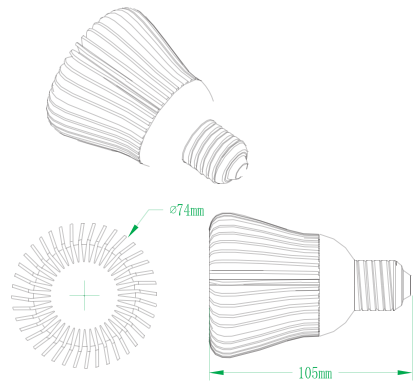
PAR20 9W White

SPECIFICATIONS

LED	High Power LED
Lamp Holder	E27
Outside Diameter Size	74mm
Material	Gold / Silver / Black aluminum alloy shell
LED Color	White
Luminous Flux(lm)	420lm
Radiation Angle(°)	25° / 45° / 60°
Voltage(V)	100 ~ 240VAC/DC
Power	9W
Working Temperature(°C)	-10°C ~ +40°C
Storage Temperature(°C)	-40°C ~ +70°C
Color Temperature(k)	6000k
Weight(g)	220g
Packing	25pcs / ctn

Information

LP20E27A2-F-3*3CW60-01	E27, 9W, 100-240VAC / DC, 25°, 6000k, white
LP20E27A2-F-3*3CW60-02	E27, 9W, 100-240VAC / DC, 45°, 6000k, white
LP20E27A2-F-3*3CW60-03	E27, 9W, 100-240VAC / DC, 60°, 6000k, white



Note:

- ◆ Indoor use only, IP54.
- ◆ Do not touch lamp surface when power is on.
- ◆ Do not watch the light-emitting surface directly.
- ◆ Please choose the right power supply to match the product.
- ◆ Please make sure the power is off before installation.

SPECIFICATIONS

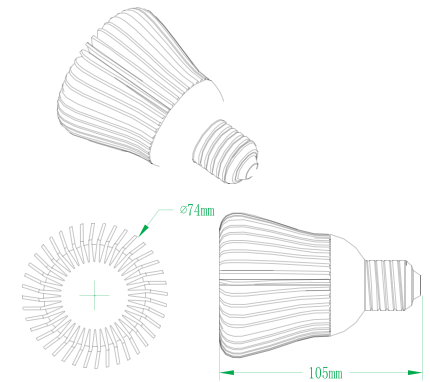
LED	High Power LED
Lamp Holder	E27
Outside Diameter Size	74mm
Material	Gold/Silver/Black aluminum alloy shell
LED Color	Warm White
Luminous Flux(lm)	420lm
Radiation Angle(°)	25°/45°/60°
Voltage(V)	100~240VAC/DC
Power	9W
Working Temperature(°C)	-10°C~+40°C
Storage Temperature(°C)	-40°C~+70°C
Color Temperature(k)	2900k
Weight(g)	220g
Packing	25pcs/ctn

Information

LP20E27A2-F-3*3WW29-01	E27, 9W, 100-240VAC / DC, 25°, 2900k, warm white
LP20E27A2-F-3*3WW29-02	E27, 9W, 100-240VAC / DC, 45°, 2900k, warm white
LP20E27A2-F-3*3WW29-03	E27, 9W, 100-240VAC / DC, 60°, 2900k, warm white



PAR20 9W Warm White



Note:

- ◆ Indoor use only, IP54.
- ◆ Do not touch lamp surface when power is on.
- ◆ Do not watch the light-emitting surface directly.
- ◆ Please choose the right power supply to match the product.
- ◆ Please make sure the power is off before installation.



PAR30 15W White

SPECIFICATIONS

LED	High Power LED
Lamp Holder	E27
Outside Diameter Size	95mm
Material	Gold / Silver / Black aluminum alloy shell
LED Color	White
Luminous Flux(lm)	700lm
Radiation Angle(°)	25° / 45° / 60°
Voltage(V)	100~240VAC/DC
Power	15W
Working Temperature(°C)	-10°C ~ +40°C
Storage Temperature(°C)	-40°C ~ +70°C
Color Temperature(k)	6000k
Weight(g)	360g
Packing	15pcs / ctn

SPECIFICATIONS

LED	High Power LED
Lamp Holder	E27
Outside Diameter Size	95mm
Material	Gold / Silver / Black aluminum alloy shell
LED Color	Warm White
Luminous Flux(lm)	700lm
Radiation Angle(°)	25° / 45° / 60°
Voltage(V)	100~240VAC/DC
Power	15W
Working Temperature(°C)	-10°C ~ +40°C
Storage Temperature(°C)	-40°C ~ +70°C
Color Temperature(k)	2900k
Weight(g)	360g
Packing	15pcs / ctn



PAR30 15W Warm White

Order Information	
LP30E27A3-F-5*3CW60-01	E27, 15W, 100-240VAC / DC, 25°, 6000k, white
LP30E27A3-F-5*3CW60-02	E27, 15W, 100-240VAC / DC, 45°, 6000k, white
LP30E27A3-F-5*3CW60-03	E27, 15W, 100-240VAC / DC, 60°, 6000k, white

Order Information	
LP30E27A3-F-5*3WW29-01	E27, 15W, 100-240VAC / DC, 25°, 2900k, warm white
LP30E27A3-F-5*3WW29-02	E27, 15W, 100-240VAC / DC, 45°, 2900k, warm white
LP30E27A3-F-5*3WW29-03	E27, 15W, 100-240VAC / DC, 60°, 2900k, warm white

Note:

- ◆ Indoor use only, IP54.
- ◆ Do not touch lamp surface when power is on.
- ◆ Do not watch the light-emitting surface directly.
- ◆ Please choose the right power supply to match the product.
- ◆ Please make sure the power is off before installation.

Note:

- ◆ Indoor use only, IP54.
- ◆ Do not touch lamp surface when power is on.
- ◆ Do not watch the light-emitting surface directly.
- ◆ Please choose the right power supply to match the product.
- ◆ Please make sure the power is off before installation.

