



9



## GLAMOUR STRIP-B

Glamour Strip-B is a flexible modular LED lighting string, which is designed for accent lighting and perimeter lighting, or as a component of a custom fixture. By simple connection, professional lighting designer can create and design lighting applications meeting customer's requirement, such as decorate the surface, outline building facade and curtain walls. With related controlling system, customers can create customized effects, such as color changing, animations and real-time video re-playing.

Glamour Strip-B standard lighting string has 30 LED nodes. Each node has 9 pieces build-in super bright LEDs and drive circuit. The pitch is 10cm and 20cm available, and the total lighting string length is 3.47m and 6.27m respectively. The pitch can be customized as per customers' needs. Each node of Glamour Strip-B can generate virtually any color at any specified time, and realize controllable full-color changing.

Glamour Strip-B connects with each other by sealed circular connectors on both ends. Innovative mid-way power supply connects the lighting string by waterproof connectors and power supply, the wire has 0.3m length.

The node cover of Glamour Strip-B uses weatherproof and fireproof material. Housing colors are available in black and grey, and optical lenses have 3 models available: clear dome, milky dome, and clear flat.

Glamour Strip-B can be mounted by special suspended system with steel wire, mounting track, or using screws to fix on the decorative surface.

Glamour Strip-B supports the third party DMX controlling system.

### ACCESSORIES

<b>Power Supply</b>		
 WPS-30-15-HV-03N	 WPS-35-15-FV-03A	 WPS-60-15-FV-03B
<b>Related Products</b>		
 DA701R	 DA700T	 FQ14-1
<b>Extension Cable</b> (XXX stands for different colors and length, please refer to related forms)		
 CF-8S07XXX-C	 CF-6N07XXX-A	 CF-8S07XXX-C
<b>Power Connector -Power Supply</b>		
 CG-2N07XXX-C		
<b>Mounting Accessories</b>		
 FW-GST249-001	 FW-GST249-002	 FW-GST249-003
<b>Conversion Cable</b>		
 CO-8E01H01-R		

### SPECIFICATIONS

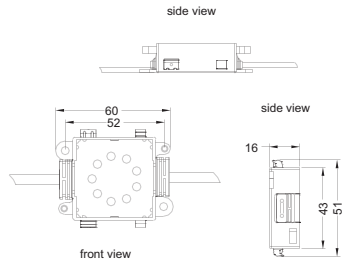
<b>Basic Specifications</b>	
Color Range	16,777,216 (24Bit) additive colors (RGB)
Source	30 Nodes; each node has 3R / 3G / 3B LEDs
Source Life	MTBF=50,000 hours (Typical)
Housing	Weatherproof, Fireproof, anti-UV
Connector	VG95234 Connector
Net Weight	1.55 KG (Pitch 10cm), 1.72KG (Pitch 20cm)
<b>Environmental Specifications</b>	
Working Temperature	-4°F to 122°F (-20°C to 50°C)
Storage Temperature	-40°F to 158°F (-40°C to 70°C)
Protection Rating	IP66
<b>Communication Specifications</b>	
Data Interface	LiteMagic Dedicated BUS
Data Cable	6-conductor Flat Wire
<b>Electrical Specifications</b>	
Power Cable	RVV, 2×1.5mm <sup>2</sup>
Input Voltage	DC 15V
Power Consumption	0.9W per node, 27W per string Max.
<b>Optical Specifications</b>	
Light Intensity	White:6.12cd ; Red:1.8cd ; Green:3.6cd ; Blue:0.72cd
Beam Angle	180°
<b>Controller</b>	
Host Controller	SD3000, SD4000, SD5000, ILC3000 (Optional)
Slave Controller	DR8116, DR8016, DR8104

### Order Information

101-00018-18	Pitch 10cm, RGB, Grey Housing, Milky Dome, Sealed Circular Connector
101-00018-22	Pitch 10cm, RGB, Grey Housing, Clear Dome, Sealed Circular Connector
101-00018-12	Pitch 10cm, RGB, Grey Housing, Clear Flat, Sealed Circular Connector
101-00018-15	Pitch 10cm, RGB, Black Housing, Clear Flat, Sealed Circular Connector
101-00018-23	Pitch 10cm, RGB, Black Housing, Clear Dome, Sealed Circular Connector
101-00018-19	Pitch 10cm, RGB, Black Housing, Milky Dome, Sealed Circular Connector
101-00018-16	Pitch 20cm, RGB, Grey Housing, Clear Flat, Sealed Circular Connector
101-00018-24	Pitch 20cm, RGB, Grey Housing, Clear Dome, Sealed Circular Connector
101-00018-20	Pitch 20cm, RGB, Grey Housing, Milky Dome, Sealed Circular Connector
101-00018-17	Pitch 20cm, RGB, Black Housing, Clear Flat, Sealed Circular Connector
101-00018-25	Pitch 20cm, RGB, Black Housing, Clear Dome, Sealed Circular Connector
101-00018-21	Pitch 20cm, RGB, Black Housing, Milky Dome, Sealed Circular Connector

Single Node Dimension

Unit: mm



Single Node:



VG95234 Connector:

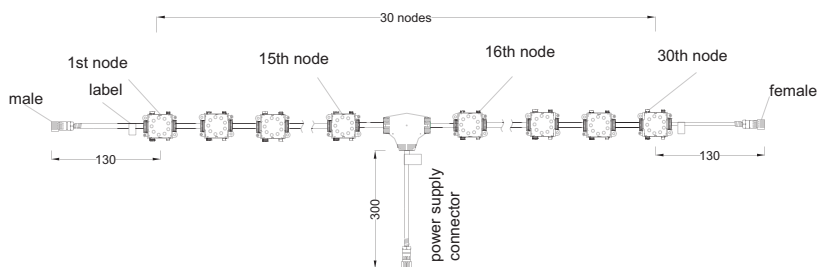


Benefits:

- ◆ Modular design, easy connection.
- ◆ Flexible lighting string, more suitable for curving or arch-shape area.
- ◆ 10cm and 20cm pitch available, and can be customized over 20cm.
- ◆ Installation distance between 2 light nodes can be adjusted ranging from 8cm to 20cm.
- ◆ Waterproof, weatherproof and anti-UV.
- ◆ Various housing colors and optical lenses available.
- ◆ Flexible installation.

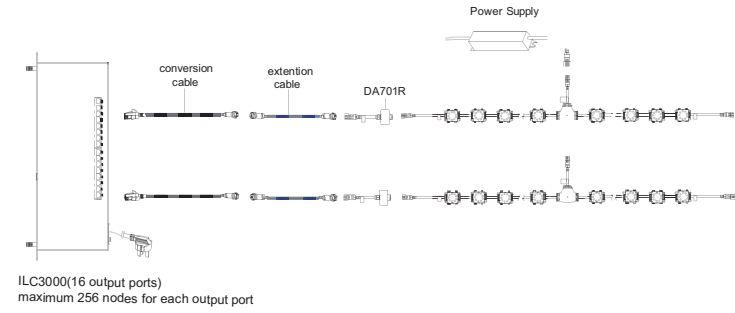
Standard Lighting String:

Unit : mm

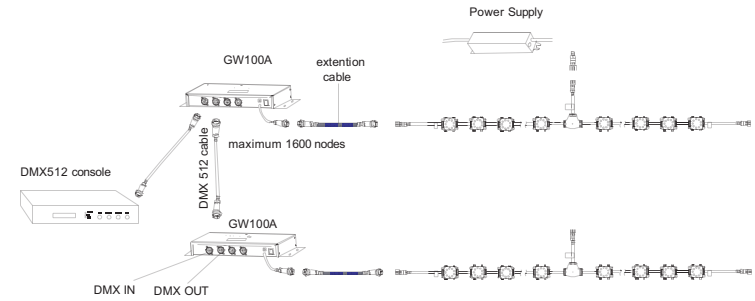


Controlling System Diagram:

1. Standalone Controlling System:



2. DMX512 Controlling System:



3. Online Controlling System:

