



Glamour Strip-C is a flexible modular LED lighting string, which is designed for accent lighting and perimeter lighting. By simple connection, professional lighting designer can create and design lighting applications meeting customer's requirement, such as decorate the surface, outline building facade and curtain walls. With related controlling system, customers can create customized effects, such as color changing, animations and real-time video re-playing.

Glamour Strip-C standard lighting string has 18 LED nodes. Each node has 21 pieces build-in super bright LEDs and drive circuit. The pitch is 25cm, and the total length is 4.61 m. Each node of Glamour Strip-C can generate virtually any color at any specified time, and realize controllable full-color changing.

Glamour Strip-C connects with each other by sealed circular connectors on both ends. Innovative mid-way power supply connects the lighting string by waterproof connectors and power supply, the wire has 0.3m length.

The node cover of Glamour Strip-C uses weatherproof and fireproof material. Housing colors are available in black and grey. Glamour Strip-C is larger and much brighter than Glamour Strip-B.

Glamour Strip-C can be mounted with special aluminum material to install.

Glamour Strip-C receives signals from dedicated controller, each port of a controller can support up to 14 standard lighting strings or 256 nodes maximum.

Glamour Strip-C supports the third party DMX controlling system.

SPECIFICATIONS

Basic Specifications

Color Range	16,777,216 (24Bit) additive colors (RGB)
Source	18 Nodes; each node has 7R / 7G / 7B LEDs
Source Life	MTBF=50,000 hours (Typical)
Housing	Weatherproof, Fireproof, anti-UV
Connector	VG95234 Connector
Net Weight	1.1kg

Environmental Specifications

Working Temperature	-4°F to 122°F (-20°C to 50°C)
Storage Temperature	-40°F to 158°F (-40°C to 70°C)
Protection Rating	IP66

Communication Specifications

Data Interface	LiteMagic Dedicated BUS
Data Cable	6-conductor Flat Wire

Electrical Specifications

Power Cable	RVV, 2×1.5mm ²
Input Voltage	DC 24V
Power Consumption	1.5 W per node, 27W per string Max.

Optical Specifications

Light Intensity	White:15.6 cd ; Red:2.4 cd ; Green:10.8 cd ; Blue:2.4 cd
Beam Angle	90°

Controller

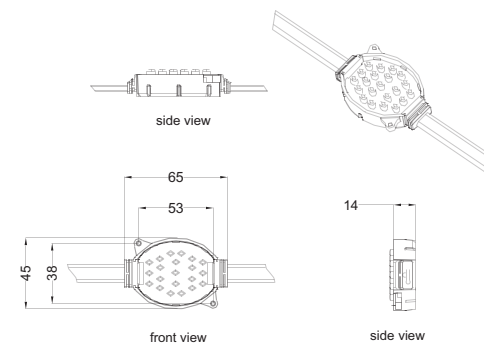
Host Controller	SD3000, SD4000, SD5000, ILC3000 (Optional)
Slave Controller	DR8116, DR8016, DR8104

Order Information

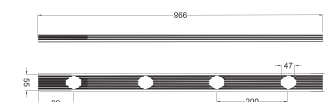
101-00018-13	Pitch 25cm, RGB, Grey Housing, White Resin, Sealed Circular Connector
101-00018-14	Pitch 25cm, RGB, Black Housing, Black Resin, Sealed Circular Connector

Single Node Dimension:

Unit : mm



Mounting Accessories:



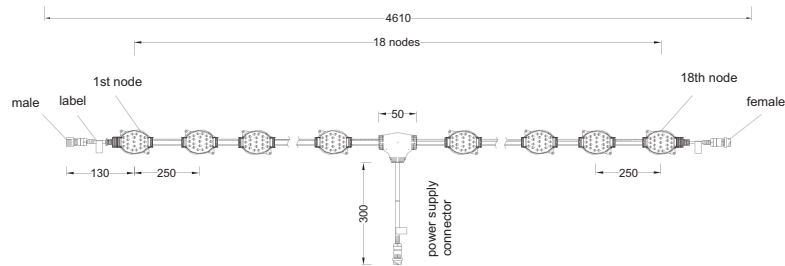
ACCESSORIES

Power Supply		
WPS-30-24-HV-03N	WPS-35-24-FV-03A	WPS-60-24-FV-03B
Related Products		
Signal Receiver 	Signal Transmitter 	Protection Cover
DA701R	DA700T	FQ14-1
Extention Cable (XXX stands for different colors and length, please refer to related forms)		
Controller-Receiver 	Light String-Light String 	Transmitter-Receiver
CG-8S07XXX-C	CF-6N07XXX-A	CF-8S07XXX-C
Power Connector -Power Supply 		
CG-2N07XXX-C		
Mounting Accessories		Conversion Cable
Aluminum Material 	Screw 	Controller-Receiver
FC-GST269-01	GB/T951-86 3*20	CO-8E01H01-R

GLAMOUR STRIP-C

Standard Lighting String:

Unit : mm



Single Node:



VG95234 Connector:

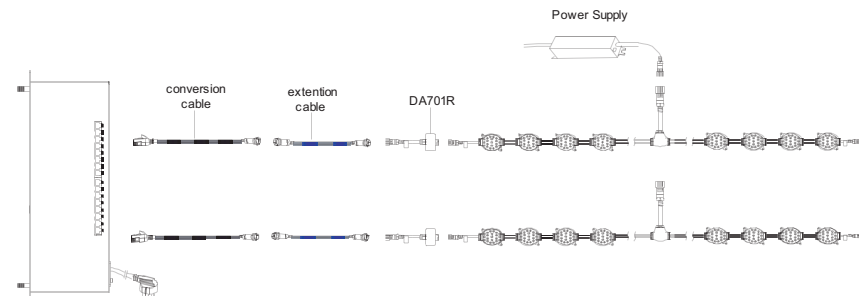


Benefits:

- ◆ Modular design, easy connection.
- ◆ Flexible lighting string, more suitable for curving or arch-shape area.
- ◆ 25 cm pitch available, and can be customized over 25cm.
- ◆ Installation distance between 2 light nodes can be adjusted ranging from 8cm to 20cm.
- ◆ Waterproof, weatherproof and anti-UV.
- ◆ Various housing colors and optical lenses available.
- ◆ Adopting special aluminum material installation way.
- ◆ LED light source supplier can be changed as per customer's needs.

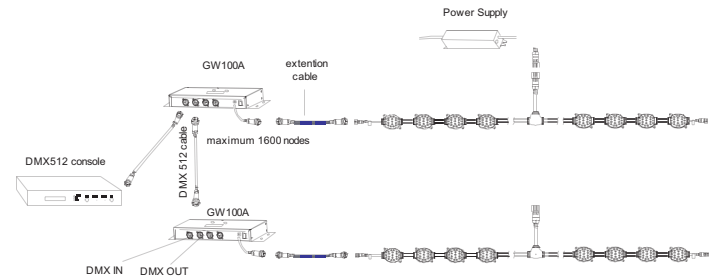
Controlling System Diagram:

1. Standalone Controlling System :



ILC3000(16 output ports)
maximum 256 nodes for each output port

2. DMX512 Controlling System :



3. Online Controlling System :

