



5

GLAMOUR SPOT-B

Glamour Spot-B is a flexible modular LED lighting string, which is designed for accent lighting and perimeter lighting, or as a component of a custom fixture. By simple connection, professional lighting designer can create and design linear lighting, screens, or arch-shape and any lighting effects.

Glamour Spot-B standard lighting string has 40 LED nodes. Each node has 3 pieces build-in super bright LEDs and drive circuit. The pitch is 10cm, and the total lighting string length is 4.84m. It is more compact than Glamour Strip-B. Each node of Glamour Spot-A can generate virtually any color at any specified time, and realize controllable full-color changing.

Glamour Spot-B connects with each other by sealed circular connectors on both ends. Innovative mid-way power supply connects the lighting string by waterproof connectors and power supply, the wire has 0.3m length. The node of Glamour Spot-B uses weatherproof and fireproof material. Housing colors are available in black and white, and the optical lens is clear arch.

Glamour Spot-B can be mounted by special suspended system with steel wire or mounting track.

Glamour Spot-B receives signals from dedicated controller, each port of a controller can support up to 6 standard lighting strings or 256 nodes maximum.

Glamour Spot-B supports the third party DMX controlling system.



SPECIFICATIONS

Basic Specifications	
Color Range	16,777,216 (24Bit) additive colors (RGB)
Source	40 Nodes; each node has 1R / 1G / 1B LEDs
Source Life	MTBF=50,000 hours (Typical)
Housing	Weatherproof, Fireproof, anti-UV
Connector	VG95234 Connector
Net Weight	1kg
Environmental Specifications	
Working Temperature	-4°F to 122°F (-20°C to 50°C)
Storage Temperature	-40°F to 158°F (-40°C to 70°C)
Protection Rating	IP66
Communication Specifications	
Data Interface	LiteMagic Dedicated BUS
Data Cable	6-conductor Flat Wire
Electrical Specifications	
Power Cable	RVV, 2×1.5mm ²
Input Voltage	DC 5V
Power Consumption	0.3W per node, 12W per string Max.
Optical Specifications	
Light Intensity	White:0.69 cd ; Red:0.16 cd ; Green:0.4cd ; Blue:0.13 cd
Beam Angle	170°
Controller	
Host Controller	SD3000, SD4000, SD5000, ILC3000 (Optional)
Slave Controller	DR8116, DR8016, DR8104

Benefits:

- ◆ Modular design, easy connection.
- ◆ Flexible lighting string, more suitable for curving or arch-shape area.
- ◆ Pitch 10cm, and can be customized over 10cm.
- ◆ Installation distance between 2 light nodes can be adjusted ranging from 8cm to 10cm.
- ◆ Waterproof, weatherproof and anti-UV.
- ◆ Various housing colors available.
- ◆ Flexible installation.

Single Node:



VG95234 Connector:



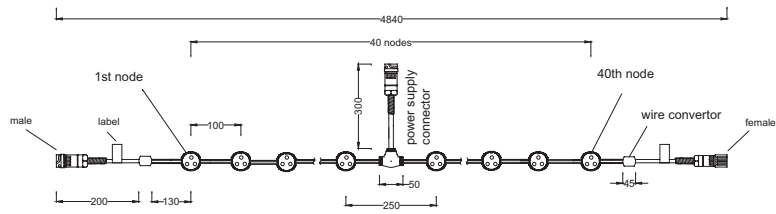
ACCESSORIES

Power Supply WPS-20-5-HV-03N	Conversion Cable CO-8E01H01-R	
Related Products Signal Receiver DA701R	Signal Transmitter DA700T	Protection Cover FQ14-1
Extension Cable Controller-Receiver CF-8S07XXX-C	Light String-Light String CF-6N07XXX-A	Transmitter-Receiver CF-8S07XXX-C
Power Connector -Power Supply CG-2N07XXX-C	(XXX stands for different colors and length, please refer to related forms)	
Mounting Accessories Steel Wire FW-GST249-001	Flange FW-GST249-002	Grip Holder FW-GST249-003

6

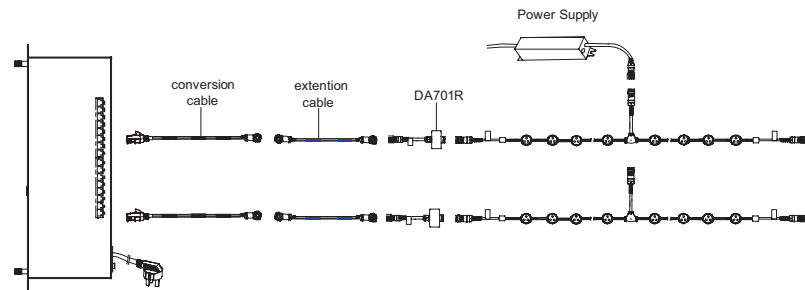
Standard Lighting String:

Unit : mm



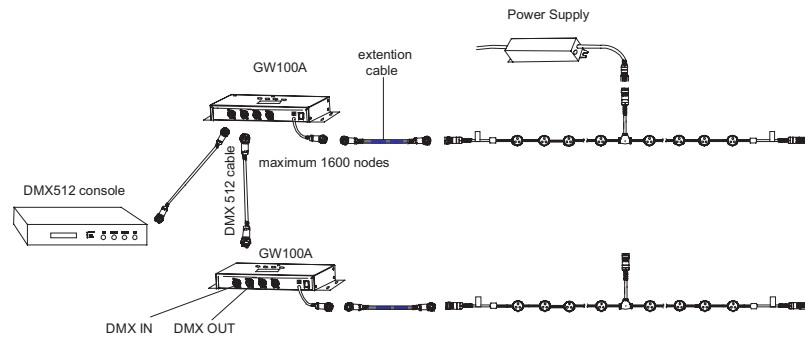
Controlling System Diagram:

1. Standalone Controlling System:



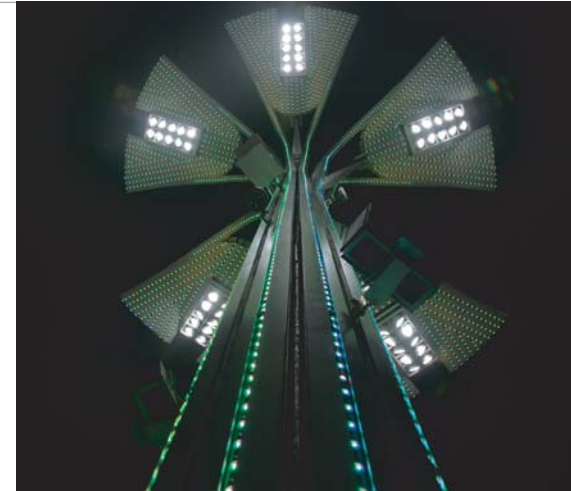
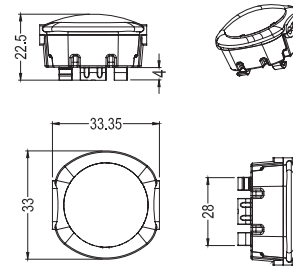
ILC3000(16 output ports)
maximum 256 nodes for each output port

2. DMX512 Controlling System:



Single Node Dimension:

Unit : mm



Order Information	
101-00010-10	Pitch 10cm, RGB, White Housing, Clear Arch, Sealed Circular Connector
101-00010-11	Pitch 10cm, RGB, Black Housing, Clear Arch, Sealed Circular Connector

3. Online Controlling System:

