

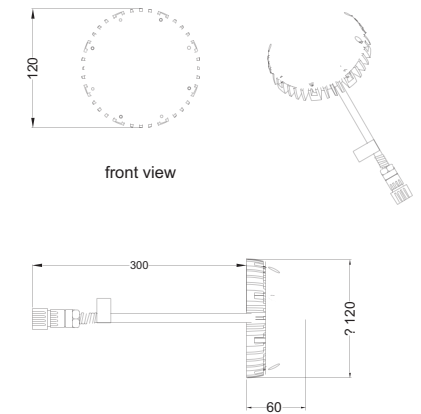


**SPECIFICATIONS**

| Basic Specifications         |  |
|------------------------------|--|
| Color Range                  | 16,777,216 (24bit) additive colors (RGB)           |
| Source                       | 54 Super Bright LEDs, 22R / 16G / 16B              |
| Source Life                  | MTBF=50,000hrs (Typical)                           |
| Housing                      | Extruded Aluminum                                  |
| Connector                    | VG95234 Connector                                  |
| Net Weight                   | 420g (Single Node) / 4500g (Light String)          |
| Environmental Specifications |  |
| Working Temperature          | -4°F to 122°F (-20°C to 50°C)                      |
| Storage Temperature          | -40°F to 158°F (-40°C to 70°C)                     |
| Protection Rating            | IP66   |
| Communication Specifications |  |
| Data Interface               | LiteMagic Dedicated BUS                            |
| Data Cable                   | 6-Conductor Round Wire                             |
| Electrical Specifications    |  |
| Power Cable                  | RVV 2X1.5mm <sup>2</sup>                           |
| Input Voltage                | DC 15V   |
| Power Consumption            | 3.9W Max. (Single Node)<br>39W Max. (Light String) |
| Optical Specifications       |  |
| Light Intensity              | 60cd(RGB)  |
| Beam Angle                   | 90°  |
| Controller                   |  |
| Host controller              | SD3000 , SD4000 , SD5000 , ILC3000                 |
| Slave controller             | DR8104 , DR8016 , DR8116                           |

**Physical Dimension:**

Unit : mm



# GLAMOUR BLOCK-C



Glamour Block-C is a digital color changing high power LED spot light which designed for building decorative lighting and contour illumination. It can also be used as a component of custom fixture. Glamour Block-C has 54 built-in Super Bright LEDs (22R / 16G / 16B) with extruded aluminum housing. Clear and milky lenses are available. The external diameter is 120mm.

Glamour Block-C is driven by exterior driver PDA752.

Glamour Block-C standard light string is a strand of 10 PDA752 and each PDA752 control one Glamour Block-C. The spacing of PDA 752s is 1M, and total string length 10.1M. The spacing between PDA752 to Glamour Block-C is 0.6M. The spacing can be customized. The Glamour Block-C

is connected to PDA752 with sealed circular connector. The standard light string adopts mid-way power supply and is connected to power supply with mid-way power connector.

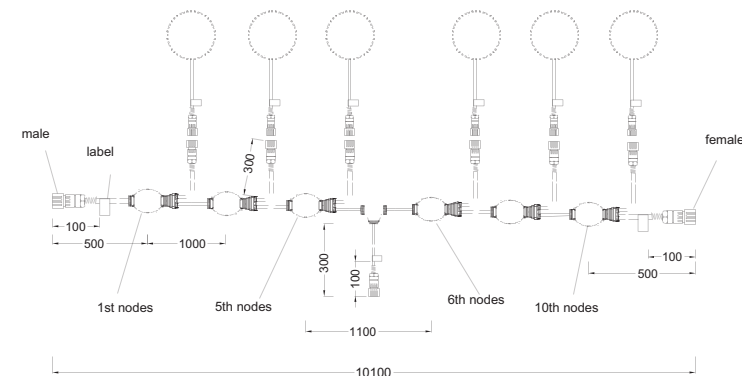
Glamour Block-C and its standard light string are rated to IP66, for both indoor and outdoor installations in damp or dry locations.

Glamour Block-C and its standard light string receive data from LiteMagic controllers. Each port of the controller support 25 standard light strings and 256 nodes. All the nodes are individually controllable and provide rich, saturated colors and color changing effects.

Glamour Block-C and its standard light string are compatible with the third party DMX controller.

**Standard Light String:**

Unit: mm





**Benefits:**

- ◆ The light source and driver are separate, which reduce the failure rate.
- ◆ Easy Installation.
- ◆ Custom spacing are available
- ◆ Waterproof, Weather proof, for both indoor and outdoor installation.

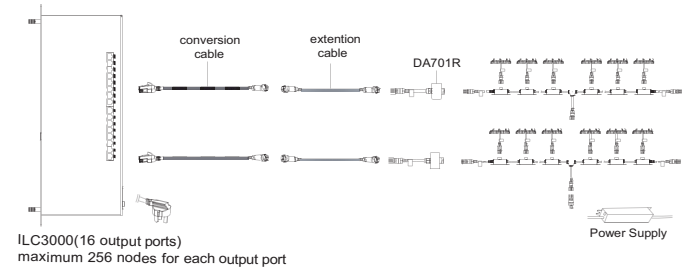
| Order Information |  |
|-------------------|--|
| 101-00011-06      | Pitch 1m, RGB , Black Housing, Clear Lens, Sealed Circular Connector |
| 101-00011-46      | Pitch 1m, RGB , Black Housing, Milky Lens, Sealed Circular Connector |
| 101-00011-07      | Pitch 1m, RGB , Grey Housing, Clear Lens, Sealed Circular Connector  |
| 101-00011-47      | Pitch 1m, RGB , Grey Housing, Milky Lens, Sealed Circular Connector  |

**ACCESSORIES**

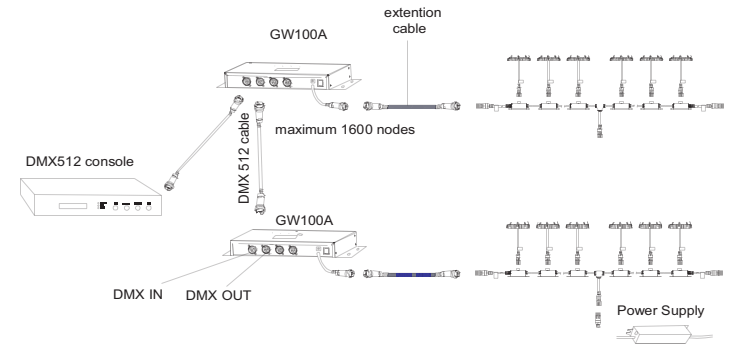
|   |   |
|---|---|
| <b>Power Supply</b><br><br>WPS-60-15-FV-03A<br><br>WPS-60-15-FV-03B<br><br>WPS-60-15-HV-03N   | <b>Extension Cable</b> (XXX stands for different colors & Length, please refer to related forms)<br><b>Controller- Receiver</b><br><br>CF-8S07XXX-C<br><br>CF-6N07XXX-A<br><br>CF-8S07XXX-C<br><b>Light String-Light String</b><br><br>CF-8S07XXX-C<br><b>Transmitter- Receiver</b><br><br>CF-8S07XXX-C |
| <b>Related Products</b><br><b>Signal Receiver</b><br><br>DA701R<br><b>Signal Transmitter</b><br><br>DA700T<br><b>Protection Cover</b><br><br>FQ14-1 | <b>Power Connector -Power Supply</b><br><br>CG-2N07XXX-C<br><b>Mounting Accessories</b><br><b>Rubber plug</b><br><br>FG-GST227-002<br><b>Screw</b><br><br>GB/T951-86-3.5*20<br><br>GB/T845-85-ST3.5*20  |
| <b>Driver</b><br><br>PDA752   | <b>Conversion Cable</b><br><b>Controller- Receiver</b><br><br>CO-8E01H01-R  |

**Controlling System Diagram:**

**1. Standalone Controlling System:**



**2. DMX Controlling System:**



**3. Online Controlling System:**

