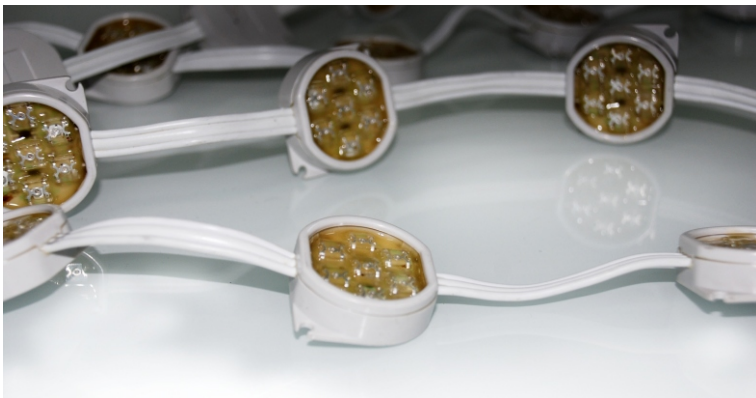
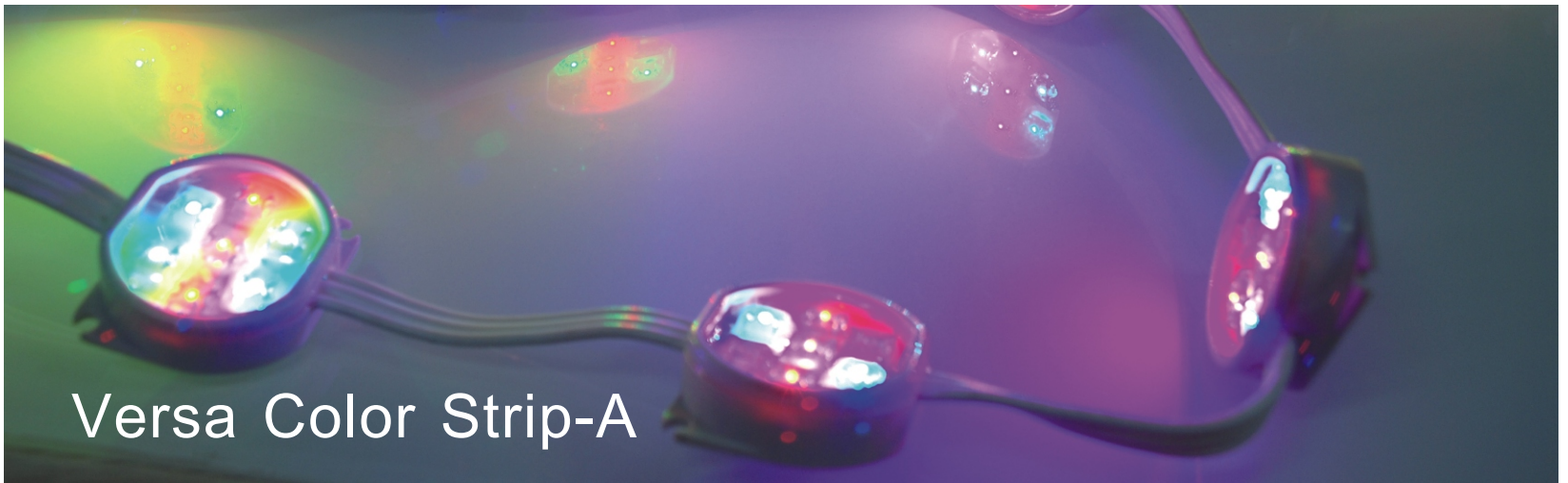


● Dynamic Control RGB Sign Light



Features:

Versa Color Strip-A is a flexible LED string lighting solution that is designed for chromatic sign lighting system. Versa Color Strip-A is available with 2 beam angles and ideal for both direct view channel lettering and backlighting channel lettering applications.

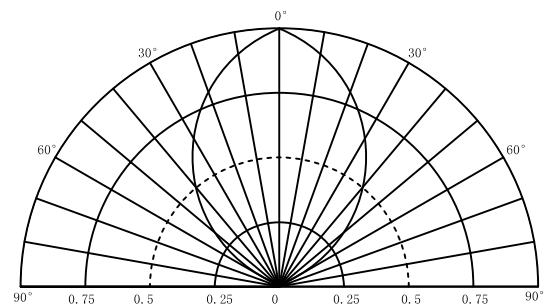
Each node have 7pcs super bright LED and can be addressed individually. Versa Color Strip-A can generate color chasing, handwriting and other dynamic color lighting effects.

Versa Color Strip-A can be mounted using the accessory mounting clips, mounting tracks. Versa Color Strip-A receives powers from a standard switching power supply and receives signals from a dedicated LiteMagic controlling system.

Technical Specifications:

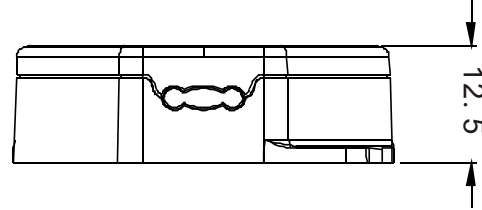
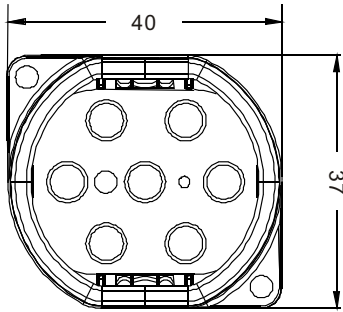
Basic specifications	
Color range	7 colors
Source	Super bright LED/ 3R,2G,2B
Source life	MTBF = 80,000 hours
Shell	ABS
Net weight	32g
Operating Environment	
Working temperature	-4°F to 122°F (-20°C to 50°C)
Storage temperature	-40°F to 158° F (-40° C to 70° C)
Protection rating	IP66
Communication specifications	
Input port	LiteMagic private data port
Data cable	CAT5 E UTP 100m
Supported products	
Controller	DC4000B
Electrical specifications	
Power requirement	DC 12V
Max. Power consumption	0.54W at full output(single lamp)
Optical specifications	
Luminous flux	White:5.7cd
Beam angle	90°

Candle Power Distribution:

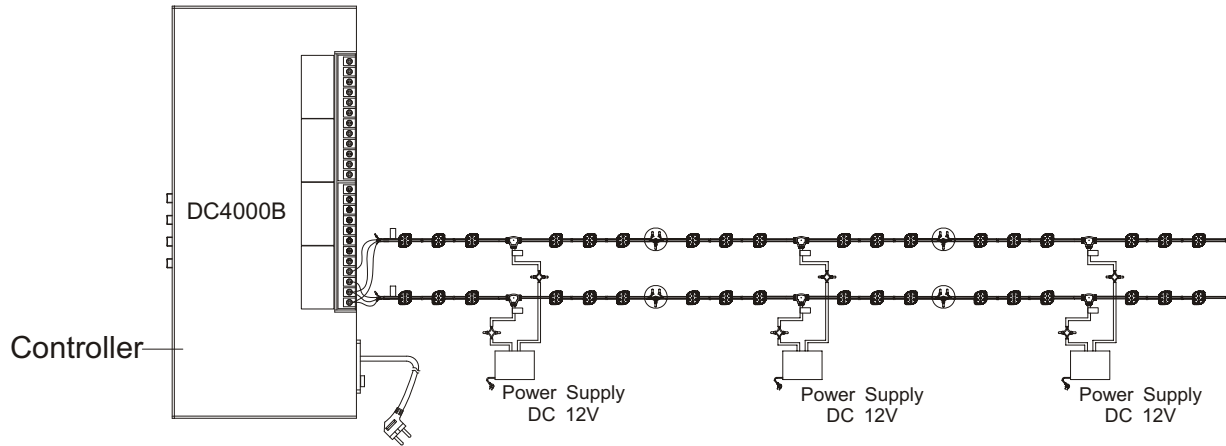


Measured on: white
 Beam center: 5.7cd
 Thin dashed line: Indicates 50% of peak

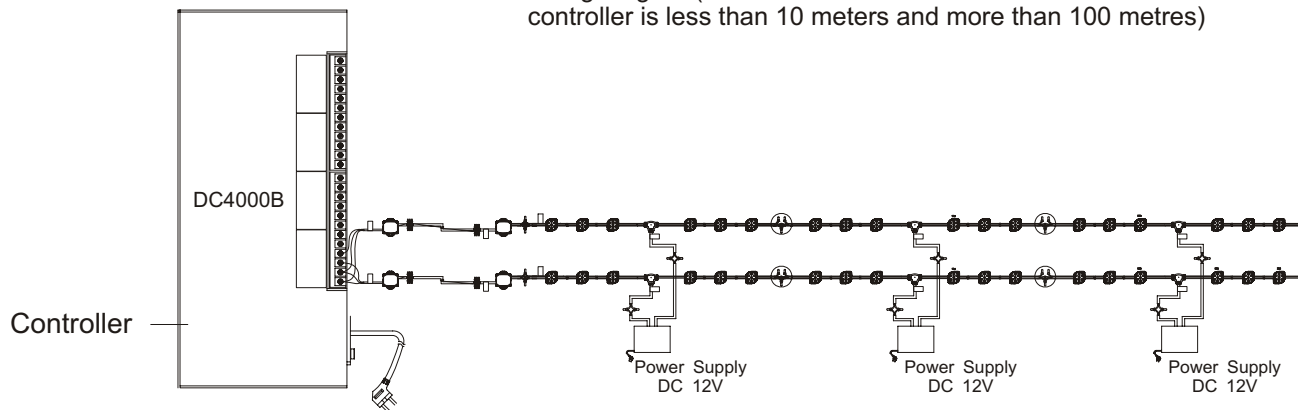
Physical dimensions:
(unit: mm)



Connection:



wiring diagram(the distance between the first node and controller is less than 10 meters and more than 100 metres)



wiring diagram(the distance between the first node and controller is less than 10 meters)

Ordering Info :

Product Name	Part Number	Description
Versa Color Strip-A	VCS-268-AA	3R2G2B LED , Seven Colors